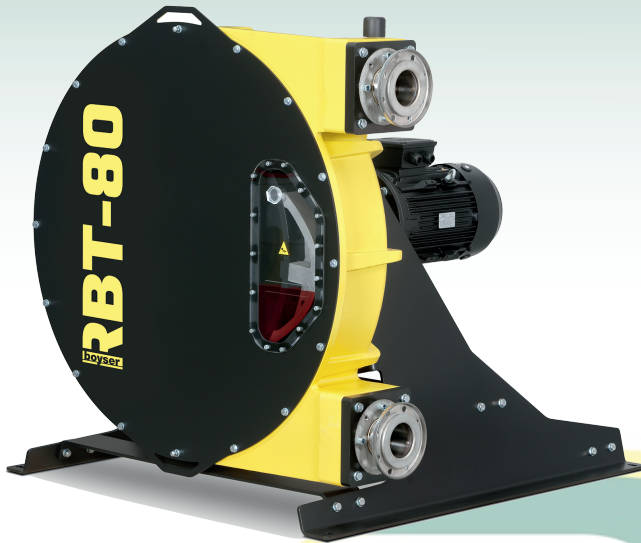


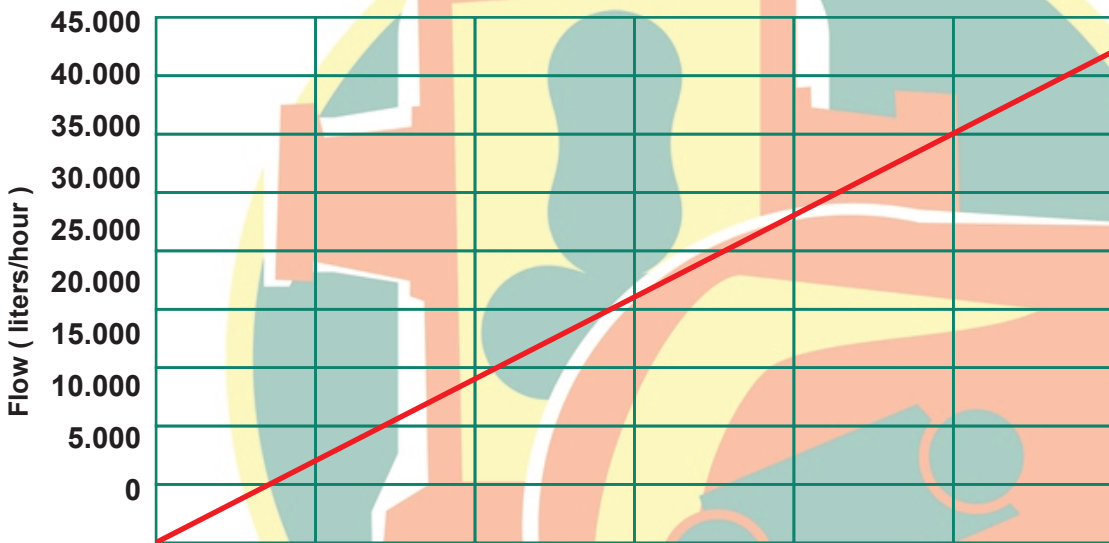


# Industrial Peristaltic Pumps

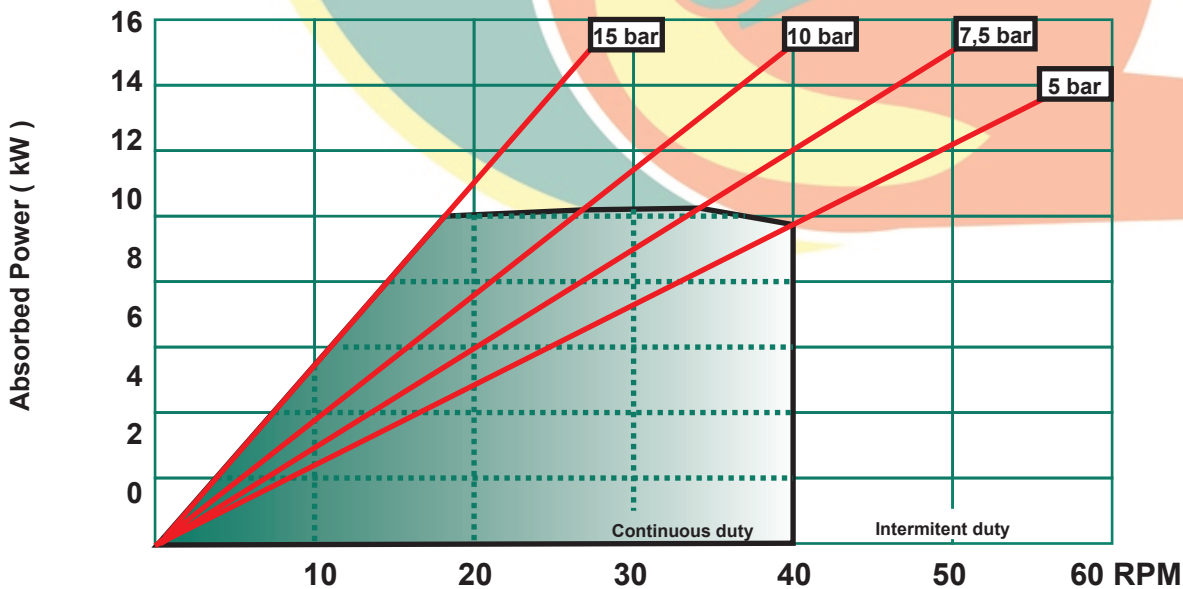
## RBT-80/B Data sheet



Capacity:	11,7 l/rev.
Connections:	DN-80
Max. Pressure:	15 bar
Rotor system:	Shoes
Available hoses:	NR NBR EPDM HYPALON

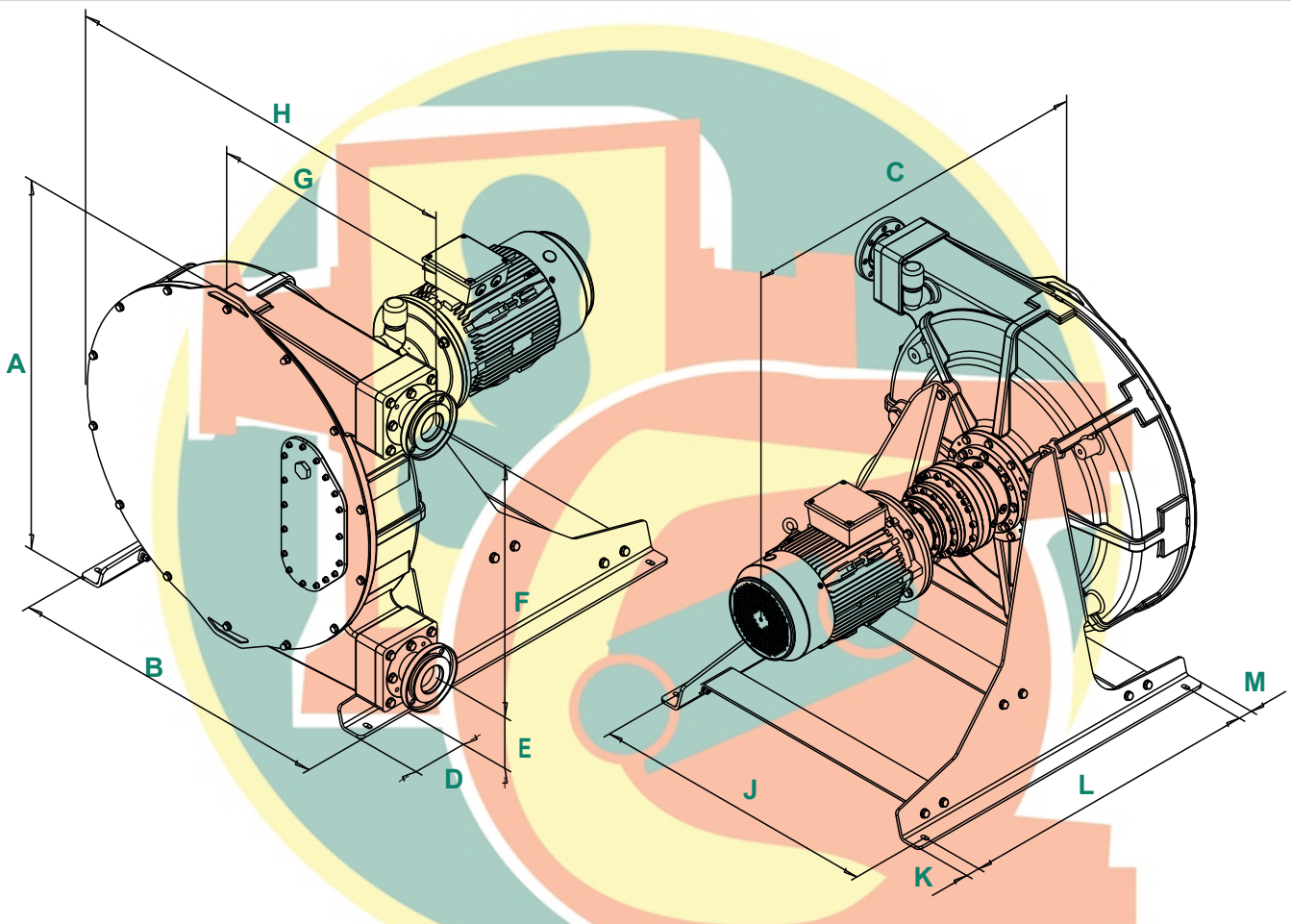


Pressure (bar)	Torque (Nm)
Minimum	1700
5	2300
7,5	2900
10	3700
15	5200



1.9.4.6 RBT-80 data sheet - 09/2020

Description	Material	Surface treatment
Pump housing	Cast Iron EN-GJL-250	Polyester powder coated Halar coated (Optional)
Front cover	Steel F-111 / Methacrilate	Polyester powder coated Halar coated (Optional)
Rotor	Nodular Cast Iron EN-GJL-400	Cataphoresis
Shoes	Nodular Cast Iron EN-GJL-400	Hardened
Base plate	Steel F-111 Stainless Steel AISI-304 (Optional)	Polyester powder coated --
Connections	Stainless Steel AISI-316 Polypropylene (Optional) PVDF (Optional)	--



A	B	C	D	E	F	G	H	J	K	L	M	Connections
1215	1093	*	137	205	850	688	1235	1045	50	1100	50	DIN DN80

\* To confirm according type and power driver.



### Bombas Boyser, S.L.

c/ Miquel Martí i Pol, s/n - Pol. Ind. Pla de la Costa  
08182 Sant Feliu de Codines - Barcelona - Spain

Tel. +34 93 844 77 78 info@boyser.com

[www.boyser.com](http://www.boyser.com)

